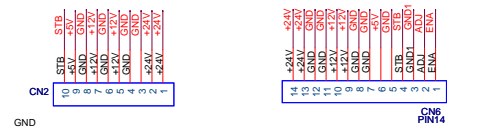
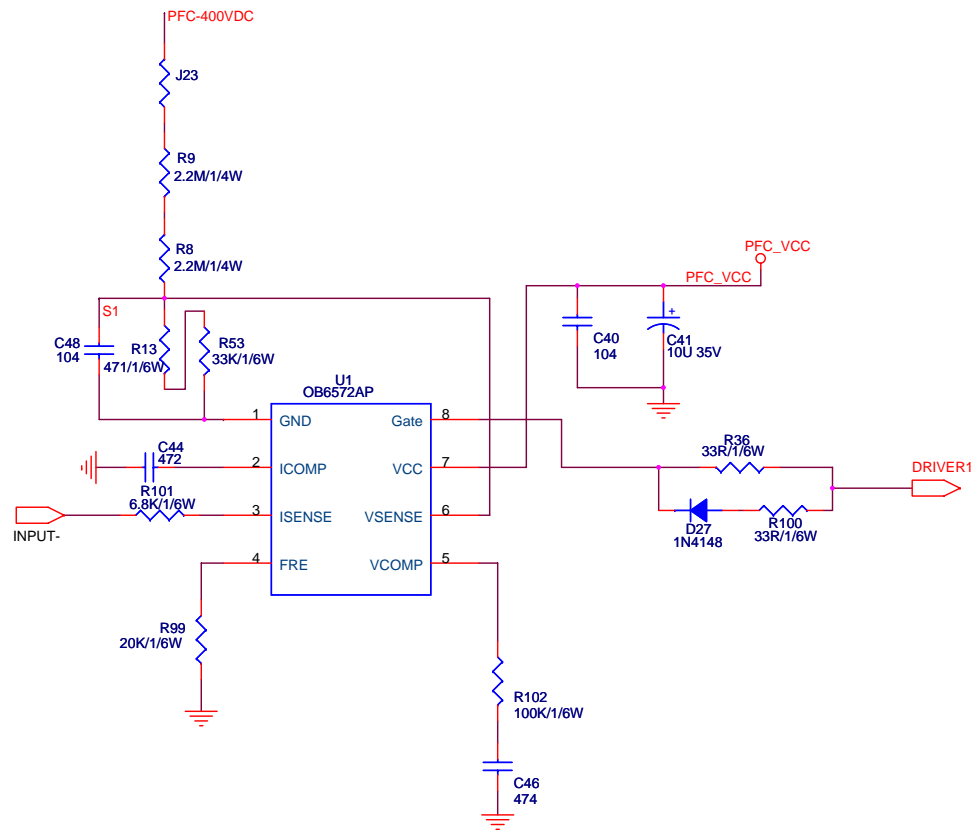


SPECIFICATION
INPUT: 100-240V AC
OUTPUT: +24V/1.5A
+12V/2.5A
+5VSB/1A
OUTPUT: +12V/4.5A

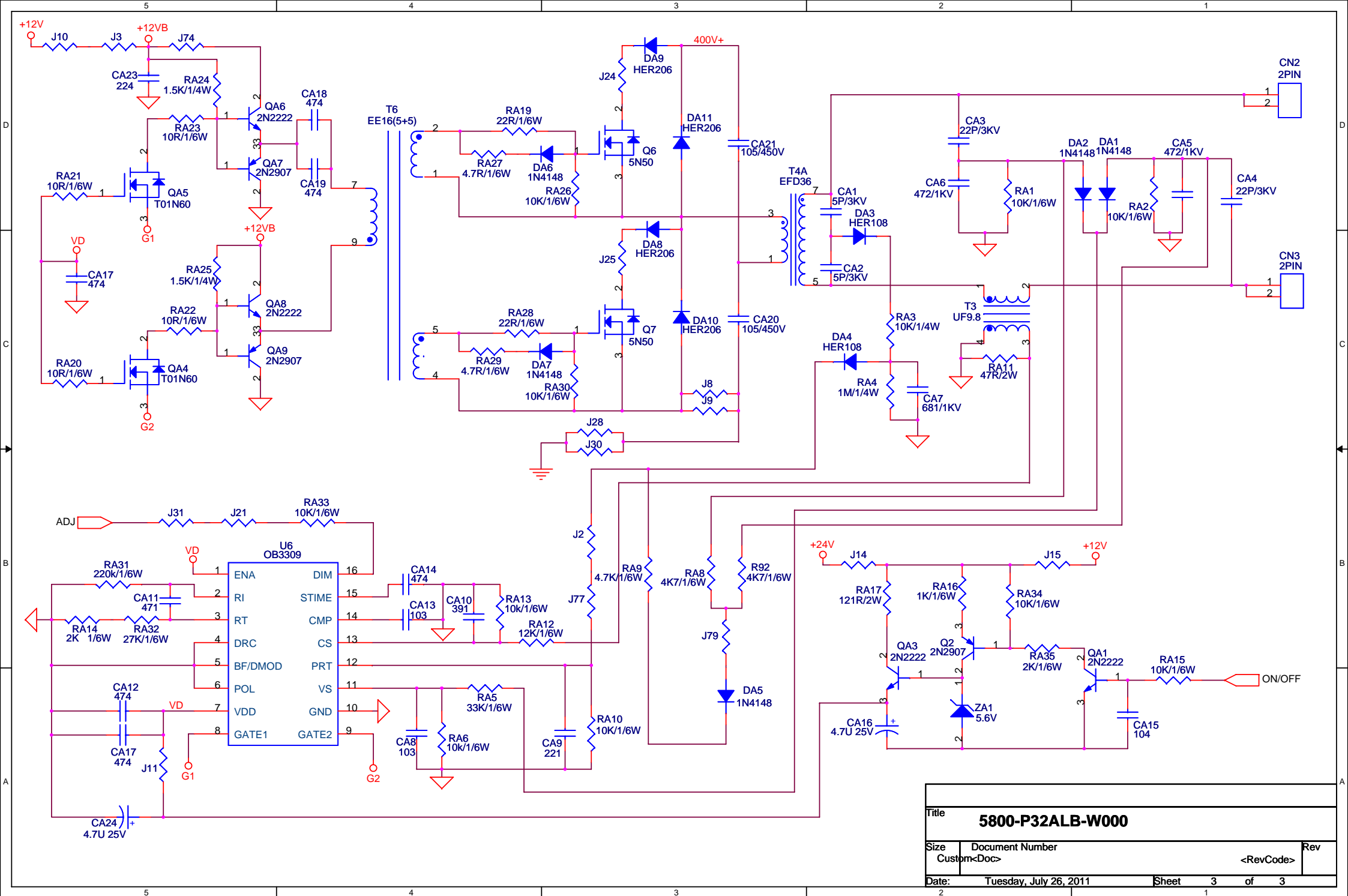
NEW STANDARD CONECTION



Title		5800-P32ALB-W000	
Size	Document Number	<RevCode>	Rev
Date:	Tuesday, July 26, 2011	Sheet	1 of 3



Title			
5800-P32ALB-W000			
Size	Document Number	<RevCode>	Rev
Custom	<Doc>		
Date:	Tuesday, July 26, 2011	Sheet	2 of 3



Title		5800-P32ALB-W000	
Size	Document Number	<RevCode>	
Custom	<Doc>		
Date:	Tuesday, July 26, 2011	Sheet	3 of 3