

**PROPRIETARY NOTE**

THIS SPECIFICATION IS THE PROPERTY OF BOE DT AND SHALL NOT BE REPRODUCED OR COPIED WITHOUT THE WRITTEN PERMISSION OF BOE DT AND MUST BE RETURNED TO BOE DT UPON ITS REQUEST

TITLE : HM236WU1-100

Product Specification

Rev.P2

BEIJING BOE Display TECHNOLOGY

SPEC. NUMBER	PRODUCT GROUP	Rev.P2	ISSUE DATE	PAGE
S	TFT-LCD		2011.11.2	1 OF 30

B2010-8002-O (1/3)

A4(210 X 297)

 京东方 BOE	PRODUCT GROUP	REV	ISSUE DATE
	TFT- LCD PRODUCT	Rev.P2	Nov. 2. 11'

REVISION HISTORY

REV.	ECN No.	DESCRIPTION OF CHANGES	DATE	PREPARED
Rev.P0		Initial Release	July. 20. 11'	Zheng Xiaopan
Rev.P1		2 nd Release	Aug.8. 11'	Zheng Xiaopan
Rev.P2		3 rd Release	Nov.2.11'	Kim Woong

SPEC. NUMBER S	SPEC. TITLE HM236WU1-100 Product Specification_Rev.P2	PAGE 2 OF 30
-------------------	--	-----------------

B2010-8002-O (2/3)

A4(210 X 297)



PRODUCT GROUP

REV

ISSUE DATE

TFT- LCD PRODUCT

Rev.P2

Nov. 2. 11'

Contents

No.	Item	Page
1.0	General Description	4
2.0	Absolute Maximum Ratings	6
3.0	Electrical Specifications	7
4.0	Optical Specifications	8
5.0	Interface Connection	10
6.0	Signal Timing Specifications	13
7.0	Signal Timing Waveforms of Interface Signal	15
8.0	Input Signals, Display Colors & Gray Scale of Colors	17
9.0	Power Sequence	18
10.0	Mechanical Characteristics	19
11.0	Reliability Test	20
12.0	Handling& Cautions	21
13.0	Product Serial Number	22
14.0	Packing	23
15.0	Appendix	25

SPEC. NUMBER

S

SPEC. TITLE

HM236WU1-100 Product Specification_Rev.P2

PAGE

3 OF 30

B2010-8002-O (3/3)

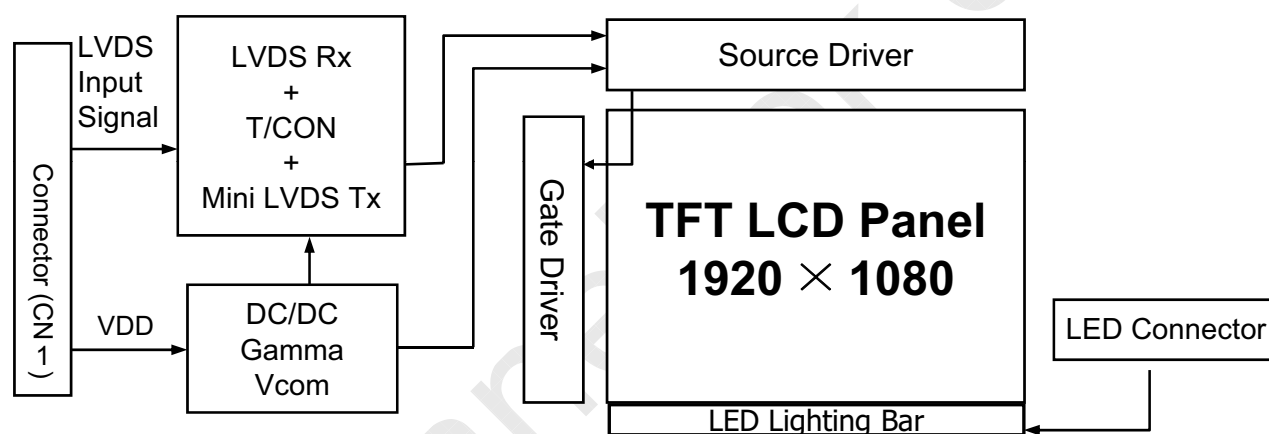
A4(210 X 297)

 京东方 BOE	PRODUCT GROUP	REV	ISSUE DATE
	TFT- LCD PRODUCT	Rev.P2	Nov. 2. 11'

1.0 GENERAL DESCRIPTION

1.1 Introduction

HM236WU1-100 is a color active matrix TFT LCD module using amorphous silicon TFT's (Thin Film Transistors) as an active switching devices. This module has a 23.6 inch diagonally measured active area with FHD resolutions (1920 horizontal by 1080 vertical pixel array). Each pixel is divided into RED, GREEN, BLUE dots which are arranged in vertical stripe and this module can display 16.7M colors. The TFT-LCD panel used for this module is adapted for a low reflection and higher color type.



1.2 Features

- LVDS Interface with 2 pixel / clock
- High-speed response
- 6-bit (Hi-FRC) color depth, display 16. 7M colors
- Incorporated edge type back-light (LED)
- High luminance and contrast ratio, low reflection and wide viewing angle
- DE (Data Enable) only
- RoHS/Halogen Free
- TCO 5.0 , E/S 5.0 compliant
- Gamma Correction

SPEC. NUMBER S	SPEC. TITLE HM236WU1-100 Product Specification_Rev.P2	PAGE 4 OF 30
-------------------	--	-----------------

B2010-8002-O (3/3)

A4(210 X 297)



PRODUCT GROUP

REV

ISSUE DATE

TFT- LCD PRODUCT

Rev.P2

Nov. 2. 11'

1.3 Application

- Desktop Type of PC & Workstation Use
- Slim-Size Display for Stand-alone Monitor
- Display Terminals for Control System
- Monitors for Process Controller

1.4 General Specification

The followings are general specifications at the model HM236WU1-100.

<Table 1. General Specifications>

Parameter	Specification	Unit	Remarks
Active area	521.28(H) × 293.22(V)	mm	
Number of pixels	1920(H) × 1080(V)	pixels	
Pixel pitch	0.2715(H) × 0.2715(V)	mm	
Pixel arrangement	RGB Vertical stripe		
Display colors	16.7M	colors	
Display mode	Normally White		
Dimensional outline	544.8(H) × 320.5(V) × 9.6(D) typ.	mm	
Weight	2200 (Typ.)	g	
Surface Treatment	Haze 25%, 3H		
Back-light	Lower edge side, 1-LED Lighting Bar type		Note 1
Power Consumption	P_D : 5.5W (max)		
	P_{BL} : 14.9W (max)		Note 2
	P_{total} : 20.4 (max)		

Notes : 1. LED Lighting Bar (4*input pins)

2. $P_{LED} = \text{Input pins} * V_{PIN} * I_{PIN}$

SPEC. NUMBER

SPEC. TITLE

PAGE

S

HM236WU1-100 Product Specification_Rev.P2

5 OF 30

B2010-8002-O (3/3)

A4(210 X 297)



PRODUCT GROUP

REV

ISSUE DATE

TFT- LCD PRODUCT

Rev.P2

Nov. 2. 11'

2.0 ABSOLUTE MAXIMUM RATINGS

The followings are maximum values which, if exceed, may cause faulty operation or damage to the unit. The operational and non-operational maximum voltage and current values are listed in Table 2.

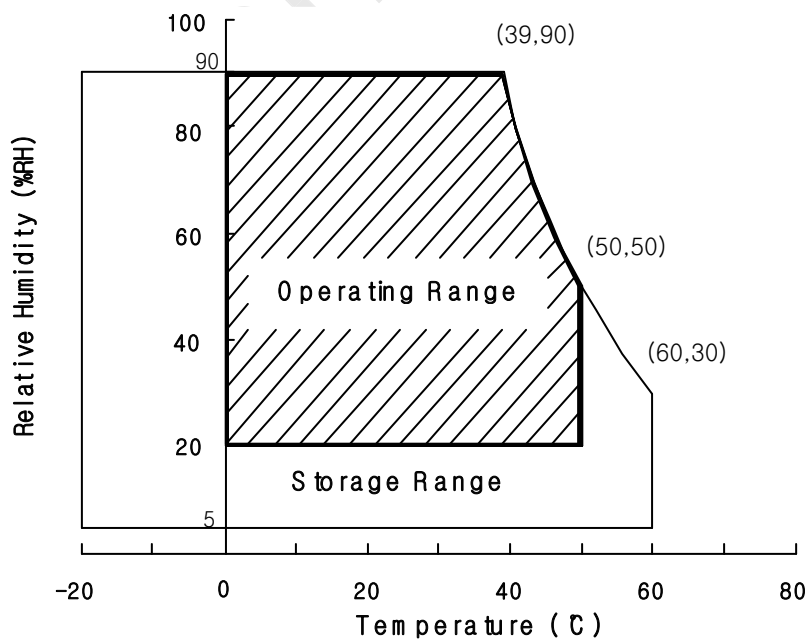
< Table 2. Absolute Maximum Ratings >

[VSS=GND=0V]

Parameter	Symbol	Min.	Max.	Unit	Remarks
Power Supply Voltage	V_{DD}	-0.3	6.0	V	Ta = 25 °C
Logic Supply Voltage	V_{IN}	VSS-0.3	$V_{DD}+0.3$	V	
LED Light Bar Current Per Input Pin	IPIN	-	125	mA	
LED Light Bar Voltage Per Input Pin	VPIN	-	37.4	V	
Operating Temperature	T_{OP}	0	+50	°C	1)
Storage Temperature	T_{ST}	-20	+60	°C	1)

Note : 1) Temperature and relative humidity range are shown in the figure below.

Wet bulb temperature should be 39 °C max. and no condensation of water.



SPEC. NUMBER

S

SPEC. TITLE

HM236WU1-100 Product Specification_Rev.P2

PAGE

6 OF 30

B2010-8002-O (3/3)

A4(210 X 297)



PRODUCT GROUP

REV

ISSUE DATE

TFT- LCD PRODUCT

Rev.P2

Nov. 2. 11'

3.0 ELECTRICAL SPECIFICATIONS

3.1 Electrical Specifications

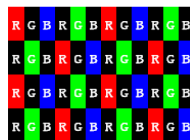
< Table 3. Electrical specifications >

[Ta =25±2 °C]

Parameter		Min.	Typ.	Max.	Unit	Remarks
Power Supply Voltage	V _{DD}	4.5	5.0	5.5	V	Note1
Power Supply Current	I _{DD}	-	900	1100	mA	
In-Rush Current	I _{RUSH}	-	2.0	3.0	A	Note 2
Permissible Input Ripple Voltage	V _{RF}	-	-	100	mV	V _{DD} = 5.0V
High Level Differential Input Threshold Voltage	V _{IH}	-	-	+100	mV	
Low Level Differential Input Threshold Voltage	V _{IL}	-100	-	-	mV	
Differential input voltage	V _{ID}	200	-	600	mV	
Differential input common mode voltage	V _{cm}	1.0	1.2	1.5		V _{IH} =100mV, V _{IL} =-100mV
Power Consumption	P _D	-	4.5	5.5	W	
	P _{BL}	13.2	14.1	14.9	W	Note 3
	P _{total}	-	18.6	20.4	W	

Notes : 1. The supply voltage is measured and specified at the interface connector of LCM.
The current draw and power consumption specified is for VDD=5.0V, Frame rate=75Hz
Clock frequency = 92.9 MHz. Test Pattern of power supply current

- a) Typ : Color Test
b) Max : Skip Subpixel255



2. Duration of rush current is about 2 ms and rising time of VDD is 520 μs ± 20 %
3. Calculated value for reference (Input pins*VPIN × IPIN) excluding inverter loss.

SPEC. NUMBER

S

SPEC. TITLE

HM236WU1-100 Product Specification_Rev.P2

PAGE

7 OF 30

B2010-8002-O (3/3)

A4(210 X 297)



PRODUCT GROUP

REV

ISSUE DATE

TFT- LCD PRODUCT

Rev.P2

Nov. 2. 11'

3.2 Backlight Unit

< Table 4. LED Backlight Unit >

Parameter		Min.	Typ.	Max.	Unit	Remarks
LED Light Bar Input Voltage Per Input Pin	VPIN	33	35.2	37.4	V	Duty 100%
LED Light Bar Input Current Per Input Pin	IPIN	-	100	-	mA	Note1,2,
LED Power Consumption	P _{BL}	13.2	14.1	14.9	W	Note 3
LED Life-Time	-	30,000	-		Hrs	Note 4

Note1: There are one light bar ,and the specified current is input LED chip 100% duty current

Note2: The sense current of each input pin is 100mA

Note3: $P_{BL}=4 \text{ Input pins} \times V_{PIN} \times I_{PIN}$

Note4: The lifetime is determined as the time at which luminance of LED become 50% of the initial brightness or not normal lighting at $I_{PIN}=100\text{mA}$ on condition of continuous operating at $25 \pm 2 \text{ }^\circ\text{C}$

SPEC. NUMBER

S

SPEC. TITLE

HM236WU1-100 Product Specification_Rev.P2

PAGE

8 OF 30

B2010-8002-O (3/3)

A4(210 X 297)



PRODUCT GROUP

REV

ISSUE DATE

TFT- LCD PRODUCT

Rev.P2

Nov. 2. 11'

4.0 OPTICAL SPECIFICATION

4.1 Overview

The test of Optical specifications shall be measured in a dark room (ambient luminance ≤ 1 lux and temperature = $25 \pm 2^\circ\text{C}$) with the equipment of Luminance meter system (Goniometer system and TOPCONE BM-5) and test unit shall be located at an approximate distance 50cm from the LCD surface at a viewing angle of θ and Φ equal to 0° . We refer to $\theta_{\theta=0}$ ($=\theta_3$) as the 3 o'clock direction (the "right"), $\theta_{\theta=90}$ ($=\theta_{12}$) as the 12 o'clock direction ("upward"), $\theta_{\theta=180}$ ($=\theta_9$) as the 9 o'clock direction ("left") and $\theta_{\theta=270}$ ($=\theta_6$) as the 6 o'clock direction ("bottom"). While scanning θ and/or Φ , the center of the measuring spot on the Display surface shall stay fixed. The measurement shall be executed after 30 minutes warm-up period. VDD shall be 5.0V +/-10% at 25°C . Optimum viewing angle direction is 6° clock.

4.2 Optical Specifications

[VDD = 5.0V, Frame rate = 60Hz, Clock = 74.25MHz, $I_{BL} = 400\text{mA}$, $T_a = 25 \pm 2^\circ\text{C}$]

Parameter	Symbol	Condition	Min.	Typ.	Max.	Unit	Remark
Viewing Angle range	Horizontal	θ_3	75	85	-	Deg.	Note 1
		θ_9	75	85	-	Deg.	
	Vertical	θ_{12}	70	80	-	Deg.	
		θ_6	70	80	-	Deg.	
Luminance Contrast ratio	CR		700	1000			Note 2
Luminance of White	Y_w		200	250		cd/m ²	Note 3
White luminance uniformity	ΔY		75	80		%	Note 4
Reproduction of color	White	W_x	0.283	0.313	0.343	-	Note 5
		W_y	0.299	0.329	0.359	-	
	Red	R_x	-	T.B.D	-	-	
		R_y	-	T.B.D	-	-	
	Green	G_x	-	T.B.D	-	-	
		G_y	-	T.B.D	-	-	
	Blue	B_x	-	T.B.D	-	-	
		B_y	-	T.B.D	-	-	
Response Time	Rising	T_r		1.5	2.5	ms	Note 6
	Falling	T_f		3.5	5.5	ms	
Cross Talk	CT		-	-	2.0	%	Note 7

SPEC. NUMBER

S

SPEC. TITLE

HM236WU1-100 Product Specification_Rev.P2

PAGE

9 OF 30

B2010-8002-O (3/3)

A4(210 X 297)

 京东方 BOE	PRODUCT GROUP	REV	ISSUE DATE
	TFT- LCD PRODUCT	Rev.P2	Nov. 2. 11'

Note :

- Viewing angle is the angle at which the contrast ratio is greater than 10. The viewing are determined for the horizontal or 3, 9 o'clock direction and the vertical or 6, 12 o'clock direction with respect to the optical axis which is normal to the LCD surface.
- Contrast measurements shall be made at viewing angle of $\theta = 0^\circ$ and at the center of the LCD surface. Luminance shall be measured with all pixels in the view field set first to white, then to the dark (black) state. (See FIGURE 1 shown in Appendix) Luminance Contrast Ratio (CR) is defined mathematically.

$$CR = \frac{\text{Luminance when displaying a white raster}}{\text{Luminance when displaying a black raster}}$$

- Center Luminance of white is defined as the LCD surface. Luminance shall be measured with all pixels in the view field set first to white. This measurement shall be taken at the locations shown in FIGURE 2 for a total of the measurements per display.
- The White luminance uniformity on LCD surface is then expressed as :
 $\Delta Y = (\text{Minimum Luminance of 9points} / \text{Maximum Luminance of 9points}) * 100$
(See FIGURE 2 shown in Appendix).
- The color chromaticity coordinates specified in Table 4. shall be calculated from the spectral data measured with all pixels first in red, green, blue and white. Measurements shall be made at the center of the panel.
- The electro-optical response time measurements shall be made as FIGURE 3 shown in Appendix by switching the "data" input signal ON and OFF. The times needed for the luminance to change from 10% to 90% is Td, and 90% to 10% is Tr.
- Cross-Talk of one area of the LCD surface by another shall be measured by comparing the luminance (Y_A) of a 25mm diameter area, with all display pixels set to a gray level, to the luminance (Y_B) of that same area when any adjacent area is driven dark. (See FIGURE 4 shown in Appendix).

SPEC. NUMBER S	SPEC. TITLE HM236WU1-100 Product Specification_Rev.P2	PAGE 10 OF 30
-------------------	--	------------------

B2010-8002-O (3/3)

A4(210 X 297)



PRODUCT GROUP

REV

ISSUE DATE

TFT- LCD PRODUCT

Rev.P2

Nov. 2. 11'

5.0 INTERFACE CONNECTION.

5.1 Electrical Interface Connection

5.1.1 LED Light Bar

< Table 1. LED Light Bar >

Pin No	Symbol	Description
1	IRLED1	LED current sense for string1
2	IRLED2	LED current sense for string2
3	VLED	LED power supply
4	VLED	LED power supply
5	IRLED3	LED current sense for string3
6	IRLED4	LED current sense for string4

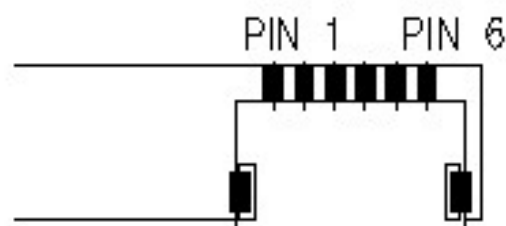


Figure1. Top View of LED Bar Connector

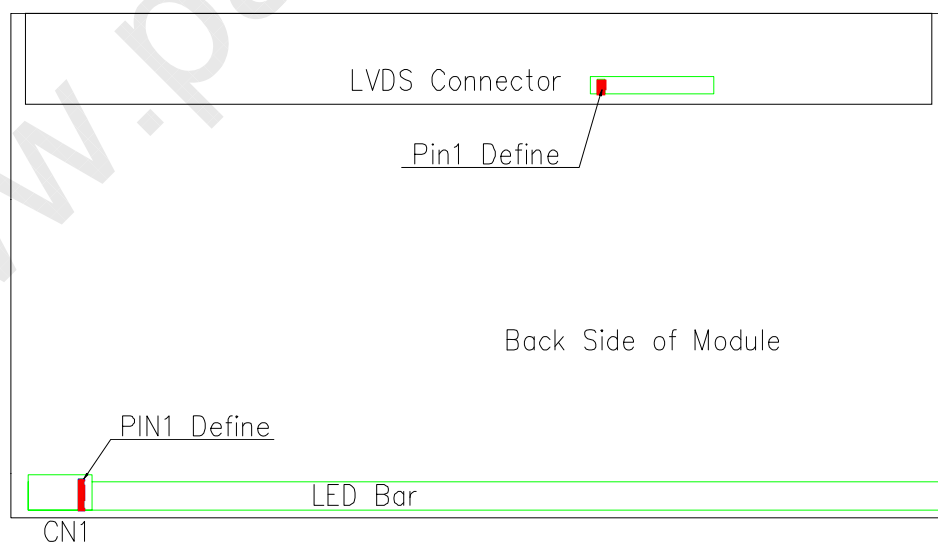


Figure2. Back Side of Module

SPEC. NUMBER

S

SPEC. TITLE

HM236WU1-100 Product Specification_Rev.P2

PAGE

11 OF 30

B2010-8002-O (3/3)

A4(210 X 297)



PRODUCT GROUP

REV

ISSUE DATE

TFT- LCD PRODUCT

Rev.P2

Nov. 2. 11'

5.0 INTERFACE CONNECTION.

5.1 Electrical Interface Connection

- CN11 Module Side Connector : UJU IS100-L30R-C23or Equivalent
User Side Connector : JAE FI-X30H or Equivalent

Pin No	Symbol	Function	Remark
1	RXO0-	Negative Transmission data of Pixel 0 (ODD)	
2	RXO0+	Positive Transmission data of Pixel 0 (ODD)	
3	RXO1-	Negative Transmission data of Pixel 1 (ODD)	
4	RXO1+	Positive Transmission data of Pixel 1 (ODD)	
5	RXO2-	Negative Transmission data of Pixel 2 (ODD)	
6	RXO2+	Positive Transmission data of Pixel 2 (ODD)	
7	GND	Power Ground	
8	RXOC-	Negative Transmission Clock (ODD)	
9	RXOC+	Positive Transmission Clock (ODD)	
10	RXO3-	Negative Transmission data of Pixel 3 (ODD)	
11	RXO3+	Positive Transmission data of Pixel 3 (ODD)	
12	RXE0-	Negative Transmission data of Pixel 0 (EVEN)	
13	RXE0+	Positive Transmission data of Pixel 0 (EVEN)	
14	GND	Power Ground	
15	RXE1-	Negative Transmission data of Pixel 1 (EVEN)	
16	RXE1+	Positive Transmission data of Pixel 1 (EVEN)	
17	GNG	Power Ground	
18	RXE2-	Negative Transmission data of Pixel 2 (EVEN)	
19	RXE2+	Positive Transmission data of Pixel 2 (EVEN)	
20	RXEC-	Negative Transmission Clock (EVEN)	
21	RXEC+	Positive Transmission Clock (EVEN)	
22	RXE3-	Negative Transmission data of Pixel 3 (EVEN)	
23	RXE3+	Positive Transmission data of Pixel 3 (EVEN)	
24	GND	Power Ground	Note 1
25	NC	No. Connection	
26	NC		
27	NC		
28	VDD	Power Supply: +5V	
29	VDD		
30	VDD		

Note 1 : This pin should be connected with GND.

SPEC. NUMBER

S

SPEC. TITLE

HM236WU1-100 Product Specification_Rev.P2

PAGE

12 OF 30

B2010-8002-O (3/3)

A4(210 X 297)



PRODUCT GROUP

REV

ISSUE DATE

TFT- LCD PRODUCT

Rev.P2

Nov. 2. 11'

5.2 LVDS Interface (Tx; THC63LVDF83A or Equivalent)

5.2.1 LVDS Interface

	Input Signal	Transmitter		Interface		HT236F01-100 (CN11)	Remark
		Pin No.	Pin No.	System (Tx)	TFT-LCD (Rx)	Pin No.	
L V D S	OR0	51	48 47	OUT0- OUT0+	RXO0- RXO0+	1 2	
	OR1	52					
	OR2	54					
	OR3	55					
	OR4	56					
	OR5	3					
	OG0	4	46 45	OUT1- OUT1+	RXO1- RXO1+	3 4	
	OG1	6					
	OG2	7					
	OG3	11					
	OG4	12					
	OG5	14					
	OB0	15	42 41	OUT2- OUT2+	RXO2- RXO2+	5 6	
	OB1	19					
	OB2	20					
	OB3	22					
	OB4	23					
	OB5	24					
	Hsync	27	40 39	CLK OUT- CLK OUT+	RXO CLK- RXO CLK+	8 9	
	Vsync	28					
DE	30	38 37	OUT3- OUT3+	RXO3- RXO3+	10 11		
MCLK	31						
OR6	50						
OR7	2						
OG6	8						
OG7	10						
OB6	16						
OB7	18						
RSVD	25						

SPEC. NUMBER

S

SPEC. TITLE

HM236WU1-100 Product Specification_Rev.P2

PAGE

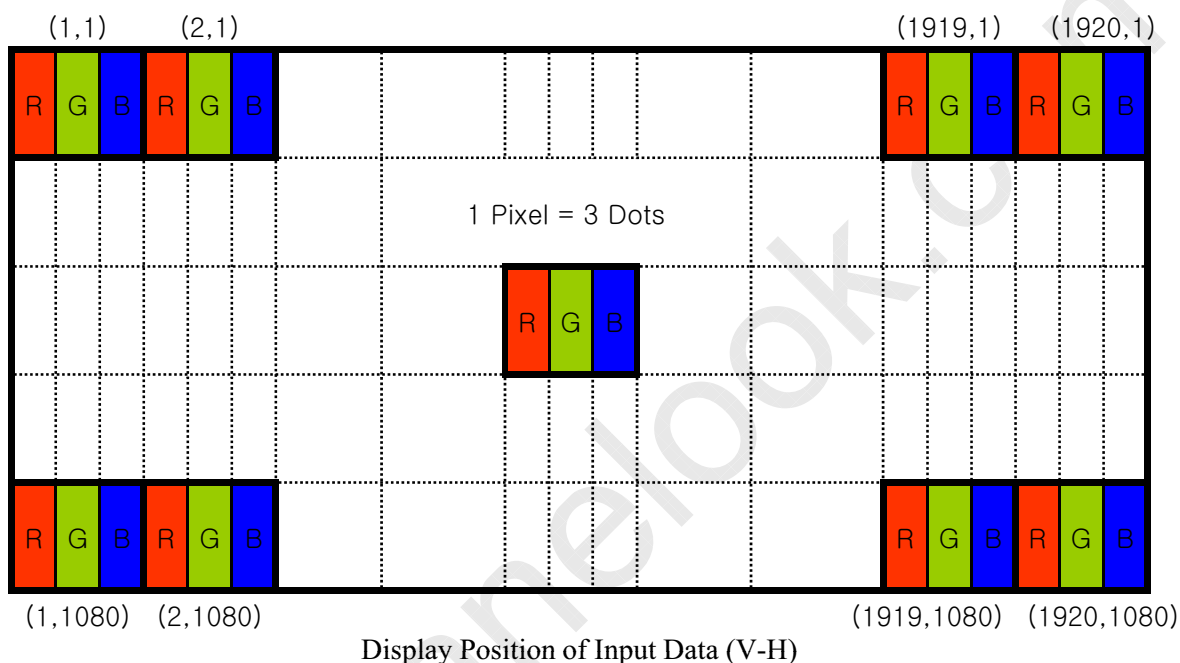
13 OF 30

B2010-8002-O (3/3)

A4(210 X 297)

 京东方 BOE	PRODUCT GROUP	REV	ISSUE DATE
	TFT- LCD PRODUCT	Rev.P2	Nov. 2. 11'

5.3 Data Input Format



SPEC. NUMBER S	SPEC. TITLE HM236WU1-100 Product Specification_Rev.P2	PAGE 14 OF 30
-------------------	--	------------------



PRODUCT GROUP

REV

ISSUE DATE

TFT- LCD PRODUCT

Rev.P2

Nov. 2. 11'

6.0 SIGNAL TIMING SPECIFICATION

6.1 The HM236WU1-100 is operated by the DE only.

Item		Symbols	Min	Typ	Max	Unit
Clock	Frequency	1/Tc	58.54	74.25	98	MHz
	High Time	Tch	-	4/7Tc	-	
	Low Time	Tcl	-	4/7Tc	-	
Frame Period		Tv	1115	1126	1136	lines
			50	60	75	Hz
			20	16.7	13.3	ms
Vertical Display Period		Tvd	-	1080	-	lines
One line Scanning Period		Th	1050	1100	1150	clocks
Horizontal Display Period		Thd	960	960	960	clocks

SPEC. NUMBER

S

SPEC. TITLE

HM236WU1-100 Product Specification_Rev.P2

PAGE

15 OF 30

B2010-8002-O (3/3)

A4(210 X 297)



PRODUCT GROUP

REV

ISSUE DATE

TFT- LCD PRODUCT

Rev.P2

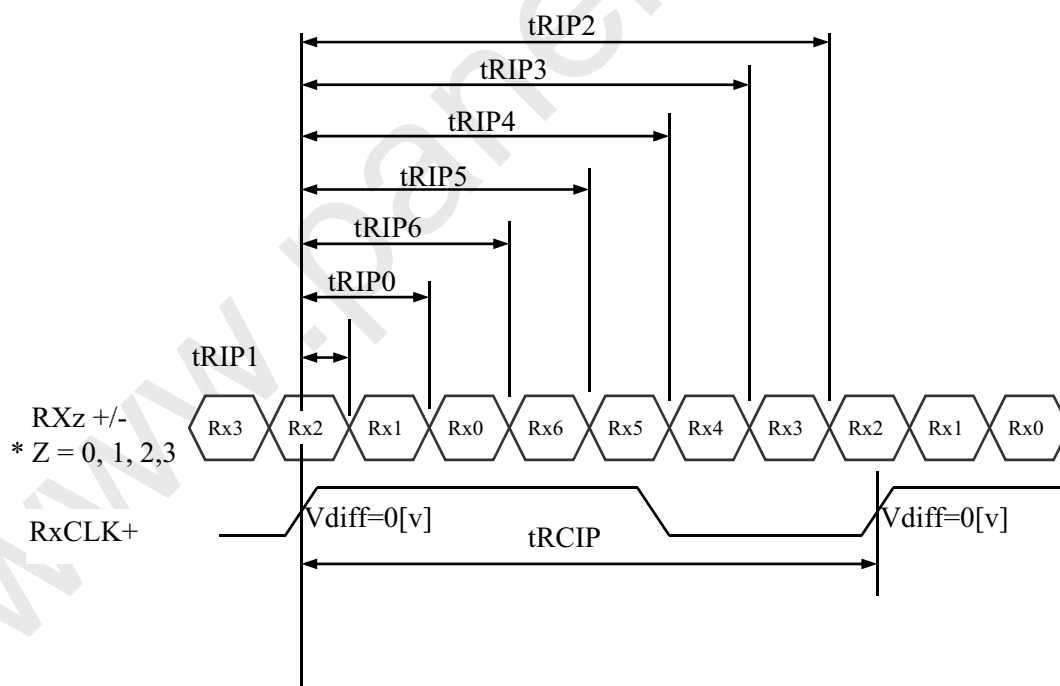
Nov. 2. 11'

6.2 LVDS Rx Interface Timing Parameter

The specification of the LVDS Rx interface timing parameter is shown in Table 4.

<Table 4. LVDS Rx Interface Timing Specification>

Item	Symbol	Min	Typ	Max	Unit	Remark
CLKIN Period	tRCIP	10.20	13.47	17.08	nsec	
Input Data 0	tRIP1	-0.4	0.0	+0.4	nsec	
Input Data 1	tRIP0	tRCIP/7-0.4	tRCIP/7	tRCIP/7+0.4	nsec	
Input Data 2	tRIP6	2 × tRCIP/7-0.4	2 × tRCIP/7	2 × tRCIP/7+0.4	nsec	
Input Data 3	tRIP5	3 × tRCIP/7-0.4	3 × tRCIP/7	3 × tRCIP/7+0.4	nsec	
Input Data 4	tRIP4	4 × tRCIP/7-0.4	4 × tRCIP/7	4 × tRCIP/7+0.4	nsec	
Input Data 5	tRIP3	5 × tRCIP/7-0.4	5 × tRCIP/7	5 × tRCIP/7+0.4	nsec	
Input Data 6	tRIP2	6 × tRCIP/7-0.4	6 × tRCIP/7	6 × tRCIP/7+0.4	nsec	



$$* V_{diff} = (RXz+) - (RXz-), \dots, (RXCLK+) - (RXCLK-)$$

SPEC. NUMBER

S

SPEC. TITLE

HM236WU1-100 Product Specification_Rev.P2

PAGE

16 OF 30

B2010-8002-O (3/3)

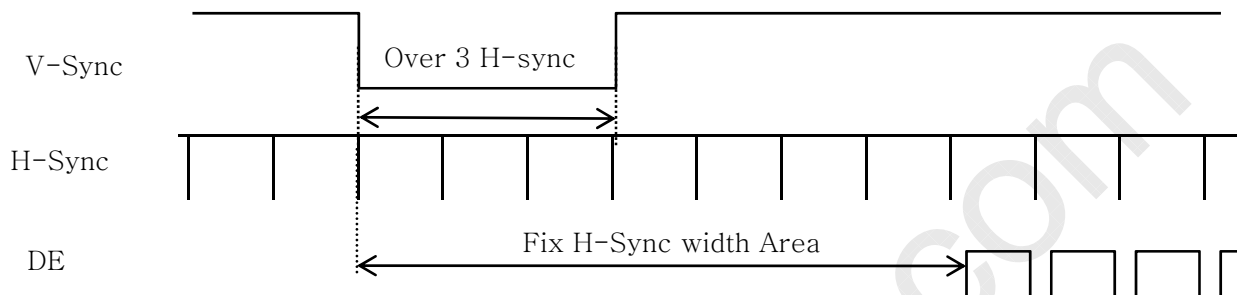
A4(210 X 297)



 京东方 BOE	PRODUCT GROUP	REV	ISSUE DATE
	TFT- LCD PRODUCT	Rev.P2	Nov. 2. 11'

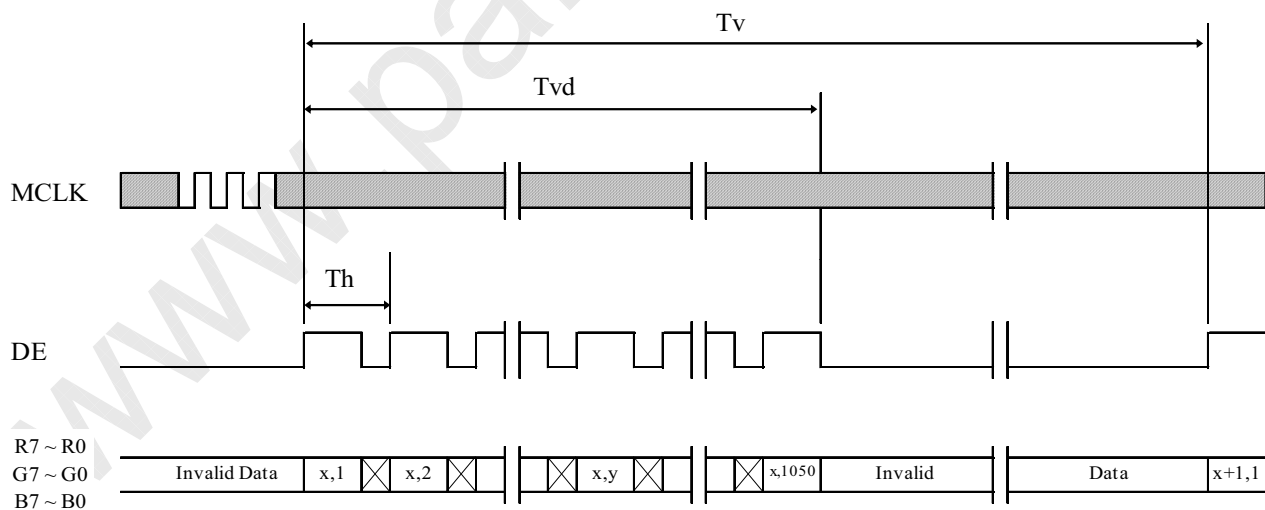
7.0 SIGNAL TIMING WAVEFORMS OF INTERFACE SIGNAL

7.1 Sync Timing Waveforms



- 1) Need over 3 H-sync during V-Sync Low
- 2) Fix H-Sync width from V-Sync falling edge to first rising edge

7.2 Vertical Timing Waveforms



SPEC. NUMBER S	SPEC. TITLE HM236WU1-100 Product Specification_Rev.P2	PAGE 17 OF 30
-------------------	--	------------------



PRODUCT GROUP

REV

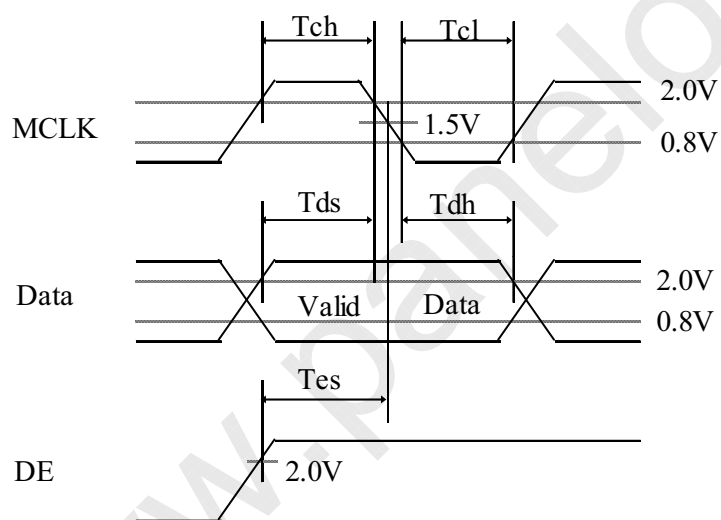
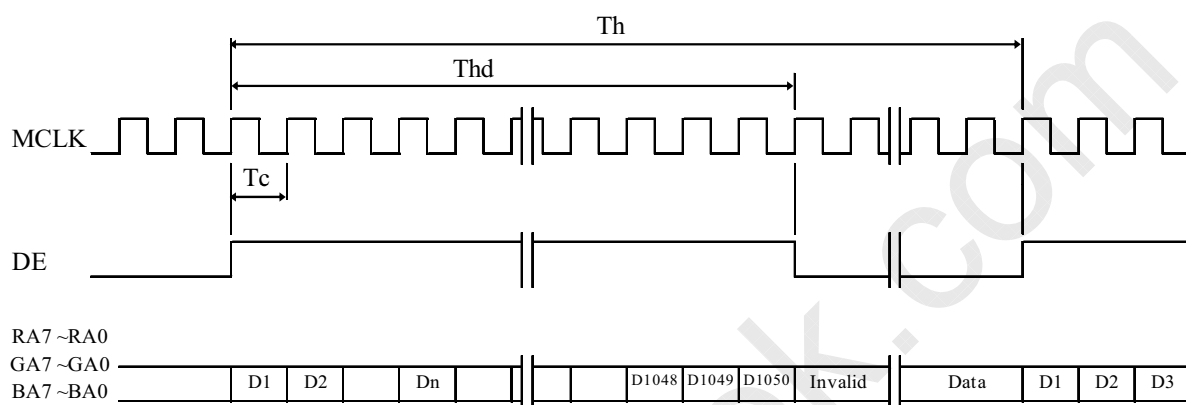
ISSUE DATE

TFT- LCD PRODUCT

Rev.P2

Nov. 2. 11'

7.3 Horizontal Timing Waveforms



SPEC. NUMBER
S

SPEC. TITLE
HM236WU1-100 Product Specification_Rev.P2

PAGE
18 OF 30

B2010-8002-O (3/3)

A4(210 X 297)



PRODUCT GROUP

REV

ISSUE DATE

TFT- LCD PRODUCT

Rev.P2

Nov. 2. 11'

8.0 INPUT SIGNALS, BASIC DISPLAY COLORS & GRAY SCALE OF COLORS

Color & Gray Scale		RED DATA								GREEN DATA								BLUE DATA							
		R7	R6	R5	R4	R3	R2	R1	R0	G7	G6	G5	G4	G3	G2	G1	G0	B7	B6	B5	B4	B3	B2	B1	B0
Basic Colors	Black	0	0	0	0	0	0	0	0	0	0	0	0	0	0	0	0	0	0	0	0	0	0	0	0
	Blue	0	0	0	0	0	0	0	0	0	0	0	0	0	0	0	0	1	1	1	1	1	1	1	1
	Green	0	0	0	0	0	0	0	0	1	1	1	1	1	1	1	1	0	0	0	0	0	0	0	0
	Cyan	0	0	0	0	0	0	0	0	1	1	1	1	1	1	1	1	1	1	1	1	1	1	1	1
	Red	1	1	1	1	1	1	1	1	0	0	0	0	0	0	0	0	0	0	0	0	0	0	0	0
	Magenta	1	1	1	1	1	1	1	1	0	0	0	0	0	0	0	0	1	1	1	1	1	1	1	1
	Yellow	1	1	1	1	1	1	1	1	1	1	1	1	1	1	1	1	0	0	0	0	0	0	0	0
	White	1	1	1	1	1	1	1	1	1	1	1	1	1	1	1	1	1	1	1	1	1	1	1	1
Gray Scale of RED	Black	0	0	0	0	0	0	0	0	0	0	0	0	0	0	0	0	0	0	0	0	0	0	0	0
	△	0	0	0	0	0	0	0	1	0	0	0	0	0	0	0	0	0	0	0	0	0	0	0	0
	Darker	0	0	0	0	0	0	1	0	0	0	0	0	0	0	0	0	0	0	0	0	0	0	0	0
	△	↑								↑								↑							
	▽	↓								↓								↓							
	Brighter	1	1	1	1	1	1	0	1	0	0	0	0	0	0	0	0	0	0	0	0	0	0	0	0
	▽	1	1	1	1	1	1	1	0	0	0	0	0	0	0	0	0	0	0	0	0	0	0	0	0
	Red	1	1	1	1	1	1	1	1	0	0	0	0	0	0	0	0	0	0	0	0	0	0	0	0
Gray Scale of GREEN	Black	0	0	0	0	0	0	0	0	0	0	0	0	0	0	0	0	0	0	0	0	0	0	0	0
	△	0	0	0	0	0	0	0	0	0	0	0	0	0	0	0	1	0	0	0	0	0	0	0	0
	Darker	0	0	0	0	0	0	0	0	0	0	0	0	0	0	1	0	0	0	0	0	0	0	0	0
	△	↑								↑								↑							
	▽	↓								↓								↓							
	Brighter	0	0	0	0	0	0	0	0	1	1	1	1	1	1	0	1	0	0	0	0	0	0	0	0
	▽	0	0	0	0	0	0	0	0	1	1	1	1	1	1	1	0	0	0	0	0	0	0	0	0
	Green	0	0	0	0	0	0	0	0	1	1	1	1	1	1	1	1	0	0	0	0	0	0	0	0
Gray Scale of BLUE	Black	0	0	0	0	0	0	0	0	0	0	0	0	0	0	0	0	0	0	0	0	0	0	0	0
	△	0	0	0	0	0	0	0	0	0	0	0	0	0	0	0	0	0	0	0	0	0	0	0	1
	Darker	0	0	0	0	0	0	0	0	0	0	0	0	0	0	0	0	0	0	0	0	0	0	0	1
	△	↑								↑								↑							
	▽	↓								↓								↓							
	Brighter	0	0	0	0	0	0	0	0	0	0	0	0	0	0	0	0	1	1	1	1	1	1	0	1
	▽	0	0	0	0	0	0	0	0	0	0	0	0	0	0	0	0	1	1	1	1	1	1	1	0
	Blue	0	0	0	0	0	0	0	0	0	0	0	0	0	0	0	0	1	1	1	1	1	1	1	1
Gray Scale of WHITE	Black	0	0	0	0	0	0	0	0	0	0	0	0	0	0	0	0	0	0	0	0	0	0	0	0
	△	0	0	0	0	0	0	0	1	0	0	0	0	0	0	0	1	0	0	0	0	0	0	0	1
	Darker	0	0	0	0	0	0	1	0	0	0	0	0	0	0	1	0	0	0	0	0	0	0	1	0
	△	↑								↑								↑							
	▽	↓								↓								↓							
	Brighter	1	1	1	1	1	1	0	1	1	1	1	1	1	1	0	1	1	1	1	1	1	1	0	1
	▽	1	1	1	1	1	1	1	0	1	1	1	1	1	1	1	0	1	1	1	1	1	1	1	0
	White	1	1	1	1	1	1	1	1	1	1	1	1	1	1	1	1	1	1	1	1	1	1	1	1

SPEC. NUMBER
S

SPEC. TITLE
HM236WU1-100 Product Specification_Rev.P2

PAGE
19 OF 30



PRODUCT GROUP

REV

ISSUE DATE

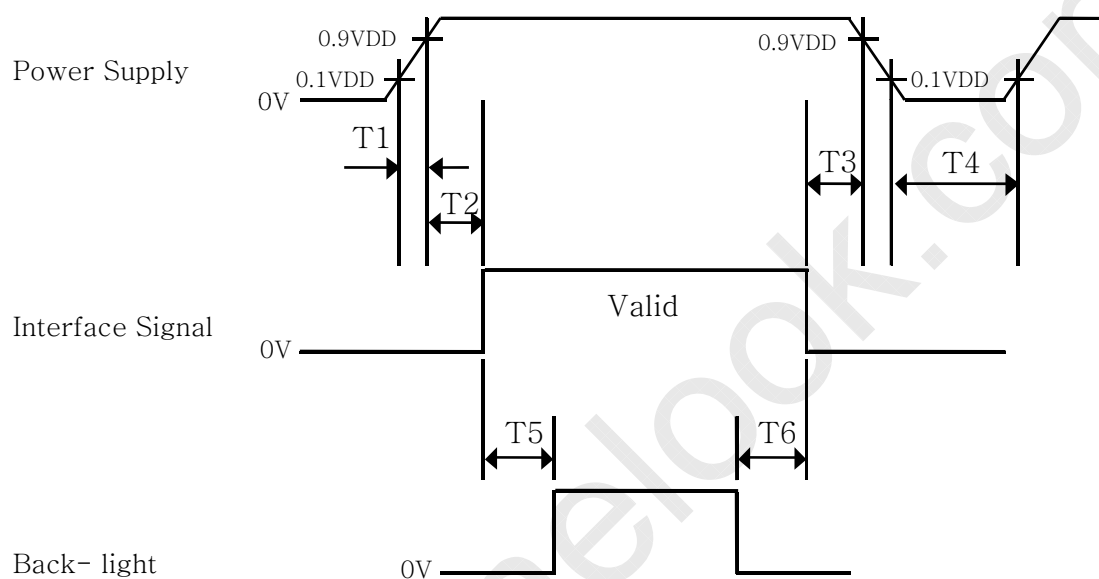
TFT- LCD PRODUCT

Rev.P2

Nov. 2. 11'

9.0 POWER SEQUENCE

To prevent a latch-up or DC operation of the LCD module, the power on/off sequence shall be as shown in below



- $0.5 \text{ ms} \leq T1 \leq 10 \text{ ms}$
- $0 \leq T2 \leq 50 \text{ ms}$
- $0 \leq T3 \leq 50 \text{ ms}$
- $1 \text{ sec} \leq T4$
- $200 \text{ ms} \leq T5$
- $200 \text{ ms} \leq T6$

Notes:

1. When the power supply VDD is 0V, keep the level of input signals on the low or keep high impedance.
2. Do not keep the interface signal high impedance when power is on.
3. Back Light must be turn on after power for logic and interface signal are valid.

SPEC. NUMBER

S

SPEC. TITLE

HM236WU1-100 Product Specification_Rev.P2

PAGE

20 OF 30

B2010-8002-O (3/3)

A4(210 X 297)



PRODUCT GROUP

REV

ISSUE DATE

TFT- LCD PRODUCT

Rev.P2

Nov. 2. 11'

10.0 MECHANICAL CHARACTERISTICS

10.1 Dimensional Requirements

FIGURE 6 (located in Appendix) shows mechanical outlines for the model HM236WU1-100. Other parameters are shown in Table 5.

<Table 5. Dimensional Parameters>

Parameter	Specification	Unit
Dimensional outline	544.8(H) × 320.5(V) × 9.6(D) typ	mm
Weight	2200(typ)	gram
Active area	521.28 (H) × 293.22 (V)	mm
Pixel pitch	0.2715 (H) × 0.2715 (V)	mm
Number of pixels	1920 (H) × 1080 (V) (1 pixel = R + G + B dots)	pixels
Back-light	Lower edge side, 1-LED Lighting Bar type	

10.2 Mounting

See FIGURE 5. (shown in Appendix)

10.3 Anti-Glare and Polarizer Hardness.

The surface of the LCD has an anti-glare coating to minimize reflection and a coating to reduce scratching.

10.4 Light Leakage

There shall not be visible light from the back-lighting system around the edges of the screen as seen from a distance 50cm from the screen with an overhead light level of 350lux.

SPEC. NUMBER

S

SPEC. TITLE

HM236WU1-100 Product Specification_Rev.P2

PAGE

21 OF 30

B2010-8002-O (3/3)

A4(210 X 297)



PRODUCT GROUP

REV

ISSUE DATE

TFT- LCD PRODUCT

Rev.P2

Nov. 2. 11'

11.0 RELIABILITY TEST

The Reliability test items and its conditions are shown in below.

<Table 6. Reliability Test Parameters >

No	Test Items	Conditions	
1	High temperature storage test	Ta = 60 °C, 240 hrs	
2	Low temperature storage test	Ta = -20 °C, 240 hrs	
3	High temperature & high humidity operation test	Ta = 50 °C, 80%RH, 240hrs	
4	High temperature operation test	Ta = 50 °C, 240hrs	
5	Low temperature operation test	Ta = 0°C, 240hrs	
6	Thermal shock	Ta = -20 °C ↔ 60 °C (0.5 hr), 100 cycle	
7	Vibration test (non-operating)	Frequency	Random, 10 ~ 300 Hz, 30 min/Axis
		Gravity / AMP	1.5 Grms
		Period	X, Y, Z 30 min
8	Shock test (non-operating)	Gravity	50G
		Pulse width	11msec, sine wave
		Direction	± X, ± Y, ± Z Once for each
9	Electro-static discharge test (non-operating)	Air : 150 pF, 330Ω, 15 KV	Contact : 150 pF, 330Ω, 8 KV

SPEC. NUMBER

S

SPEC. TITLE

HM236WU1-100 Product Specification_Rev.P2

PAGE

22 OF 30

B2010-8002-O (3/3)

A4(210 X 297)

 京东方 BOE	PRODUCT GROUP	REV	ISSUE DATE
	TFT- LCD PRODUCT	Rev.P2	Nov. 2. 11'

12.0 HANDLING & CAUTIONS

- (1) Cautions when taking out the module
 - Pick the pouch only, when taking out module from a shipping package.
- (2) Cautions for handling the module
 - As the electrostatic discharges may break the LCD module, handle the LCD module with care. Peel a protection sheet off from the LCD panel surface as slowly as possible.
 - As the LCD panel and back - light element are made from fragile glass material, impulse and pressure to the LCD module should be avoided.
 - As the surface of the polarizer is very soft and easily scratched, use a soft dry cloth without chemicals for cleaning.
 - Do not pull the interface connector in or out while the LCD module is operating.
 - Put the module display side down on a flat horizontal plane.
 - Handle connectors and cables with care.
- (3) Cautions for the operation
 - When the module is operating, do not lose CLK, ENAB signals. If any one of these signals is lost, the LCD panel would be damaged.
 - Obey the supply voltage sequence. If wrong sequence is applied, the module would be damaged.
- (4) Cautions for the atmosphere
 - Dew drop atmosphere should be avoided.
 - Do not store and/or operate the LCD module in a high temperature and/or humidity atmosphere. Storage in an electro-conductive polymer packing pouch and under relatively low temperature atmosphere is recommended.
- (5) Cautions for the module characteristics
 - Do not apply fixed pattern data signal to the LCD module at product aging.
 - Applying fixed pattern for a long time may cause image sticking.
- (6) Other cautions
 - Do not disassemble and/or re-assemble LCD module.
 - Do not re-adjust variable resistor or switch etc.
 - When returning the module for repair or etc., Please pack the module not to be broken. We recommend to use the original shipping packages.

SPEC. NUMBER S	SPEC. TITLE HM236WU1-100 Product Specification_Rev.P2	PAGE 23 OF 30
-------------------	--	------------------

B2010-8002-O (3/3)

A4(210 X 297)



	PRODUCT GROUP	REV	ISSUE DATE
	TFT- LCD PRODUCT	Rev.P2	Nov. 2. 11'

13.0 PRODUCT SERIAL NUMBER



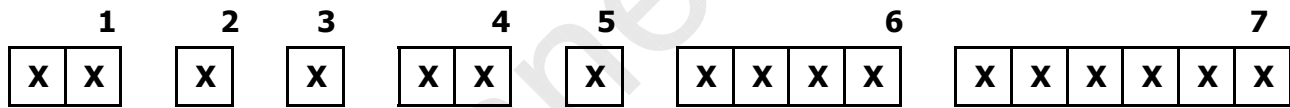

HM236WU1-100
XXXXXXXXXXXXXXXXXXXX



RoHS Compliant




MADE IN CHINA XXXXXXXXXXXXXXXXXXXXXXX



- | | |
|---|---|
| <ul style="list-style-type: none"> 1. Control Number 2. Rank / Grade 3. Line Classification 4. Year (2001 : 01, 2002 : 02, ...) | <ul style="list-style-type: none"> 5. Month (1,2,3, ... , 9, X, Y, Z) 6. Internal Use 7. Serial Number |
|---|---|

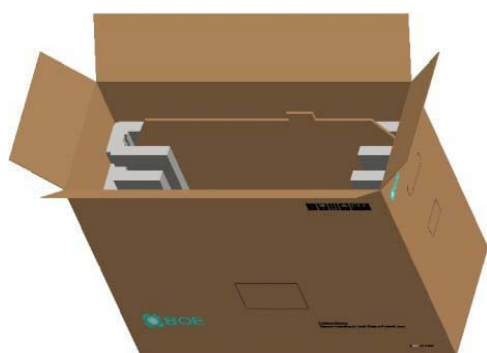
SPEC. NUMBER S	SPEC. TITLE HM236WU1-100 Product Specification_Rev.P2	PAGE 24 OF 30
-------------------	--	------------------

 京东方 BOE	PRODUCT GROUP	REV	ISSUE DATE
	TFT- LCD PRODUCT	Rev.P2	Nov. 2. 11'

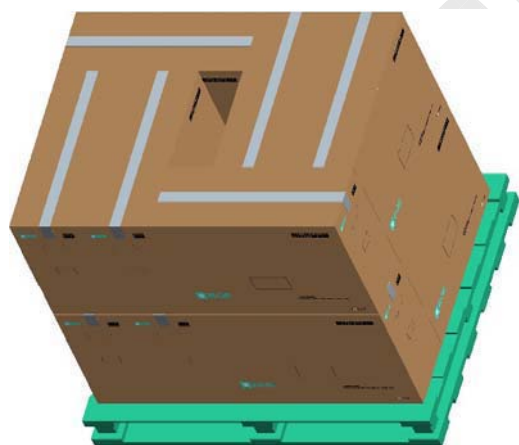
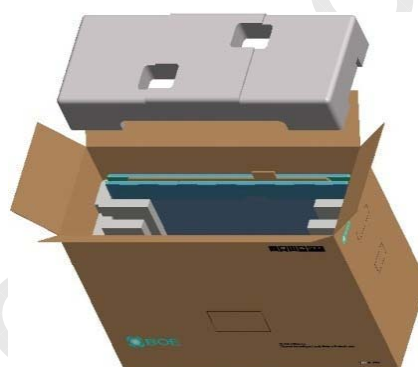
14.0 Packing

14.1 Packing Order

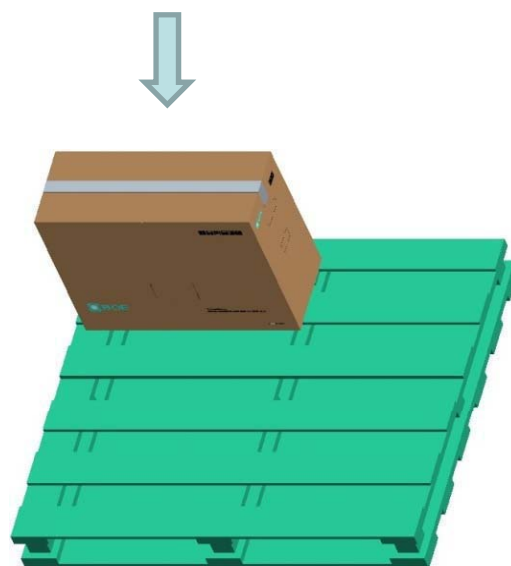
Put pad into the box



Place the modules bundled by packing bag in the box, 8pcs module per box, place a cover on the top of the box



12ea box per pallet



After sealing the box, put the box on the pallet

SPEC. NUMBER S	SPEC. TITLE HM236WU1-100 Product Specification_Rev.P2	PAGE 25 OF 30
-------------------	--	------------------

B2010-8002-O (3/3)

A4(210 X 297)

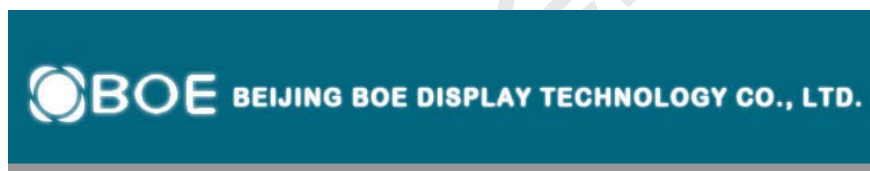
 京东方 BOE	PRODUCT GROUP	REV	ISSUE DATE
	TFT- LCD PRODUCT	Rev.P2	Nov. 2. 11'

14.2 Packing Note

- Box Dimension : 233mm(W) × 613mm(L) × 445mm(H)
- Package Quantity in one Box : 8 pcs

14.3 Box label

- Label Size : 108 mm (L) × 56 mm (W)
- Contents
Model : HM236WU1-100
Q`ty : Module 8 Q`ty in one box
Serial No. : Box Serial No. See next page for detail description.
Date : Packing Date



MODEL : HM236WU1-100 **Q'TY :** 8

SERIAL NO. : 0000000000000 **DATE :** 20XX.X.XX



• QAA0330000268 •

(5940)



(QA)

00	0	00	0	0	000000
Type	Grade	Year	Month	ITEM-CODE	Serial_no

Internal Use

RoHS Mark

SPEC. NUMBER S	SPEC. TITLE HM236WU1-100 Product Specification_Rev.P2	PAGE 26 OF 30
-------------------	--	------------------

B2010-8002-O (3/3)

A4(210 X 297)

	PRODUCT GROUP	REV	ISSUE DATE
	TFT- LCD PRODUCT	Rev.P2	Nov. 2. 11'

15.0 APPENDIX

Figure 1. Measurement Set Up

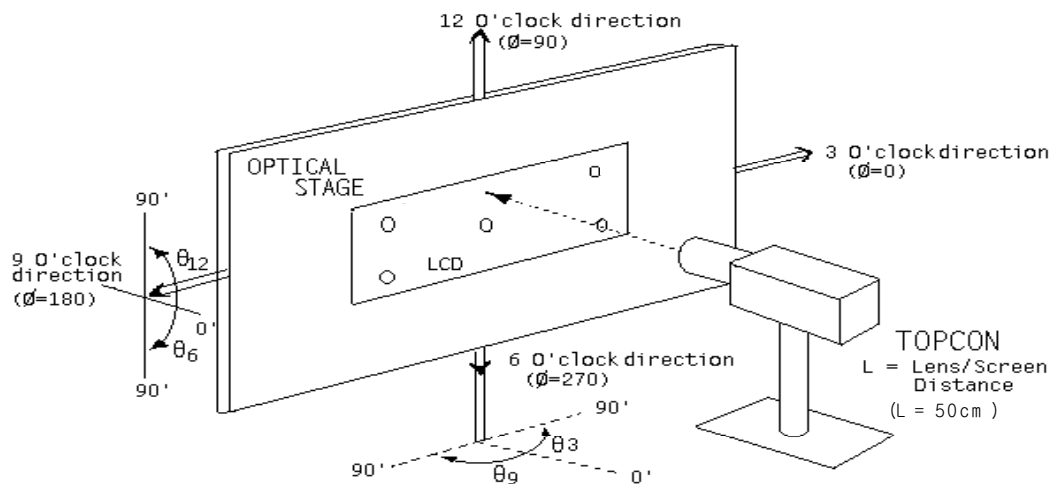
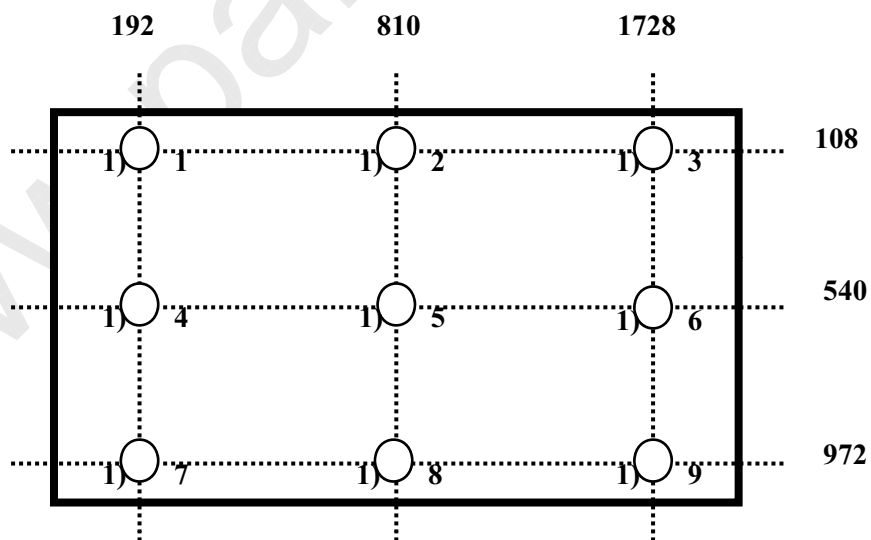


Figure 2. White Luminance and Uniformity Measurement Locations (9 points)



SPEC. NUMBER S	SPEC. TITLE HM236WU1-100 Product Specification_Rev.P2	PAGE 27 OF 30
-------------------	--	------------------

	PRODUCT GROUP	REV	ISSUE DATE
	TFT- LCD PRODUCT	Rev.P2	Nov. 2. 11'

Figure 3. Response Time Testing

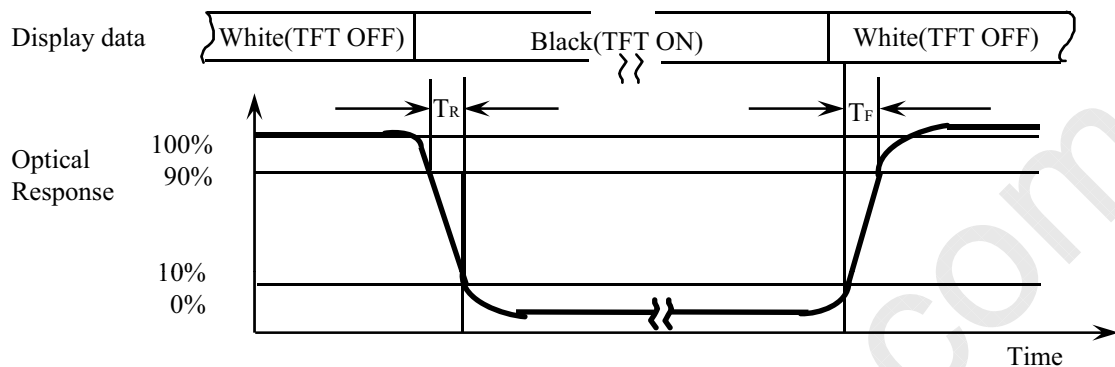
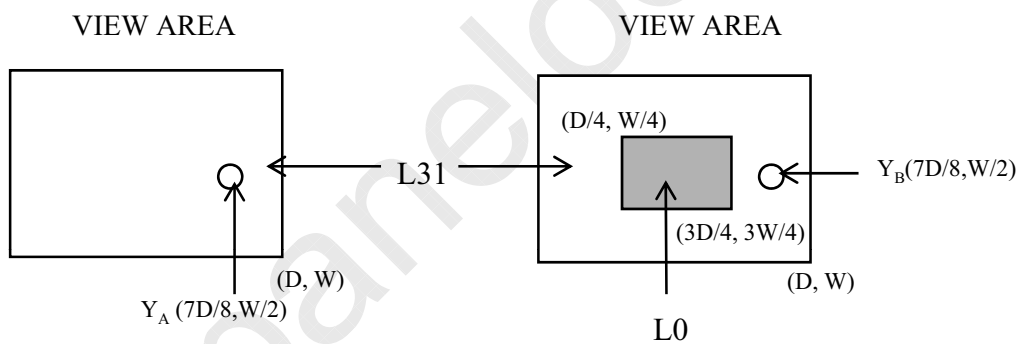


Figure 4. Cross Modulation Test Description



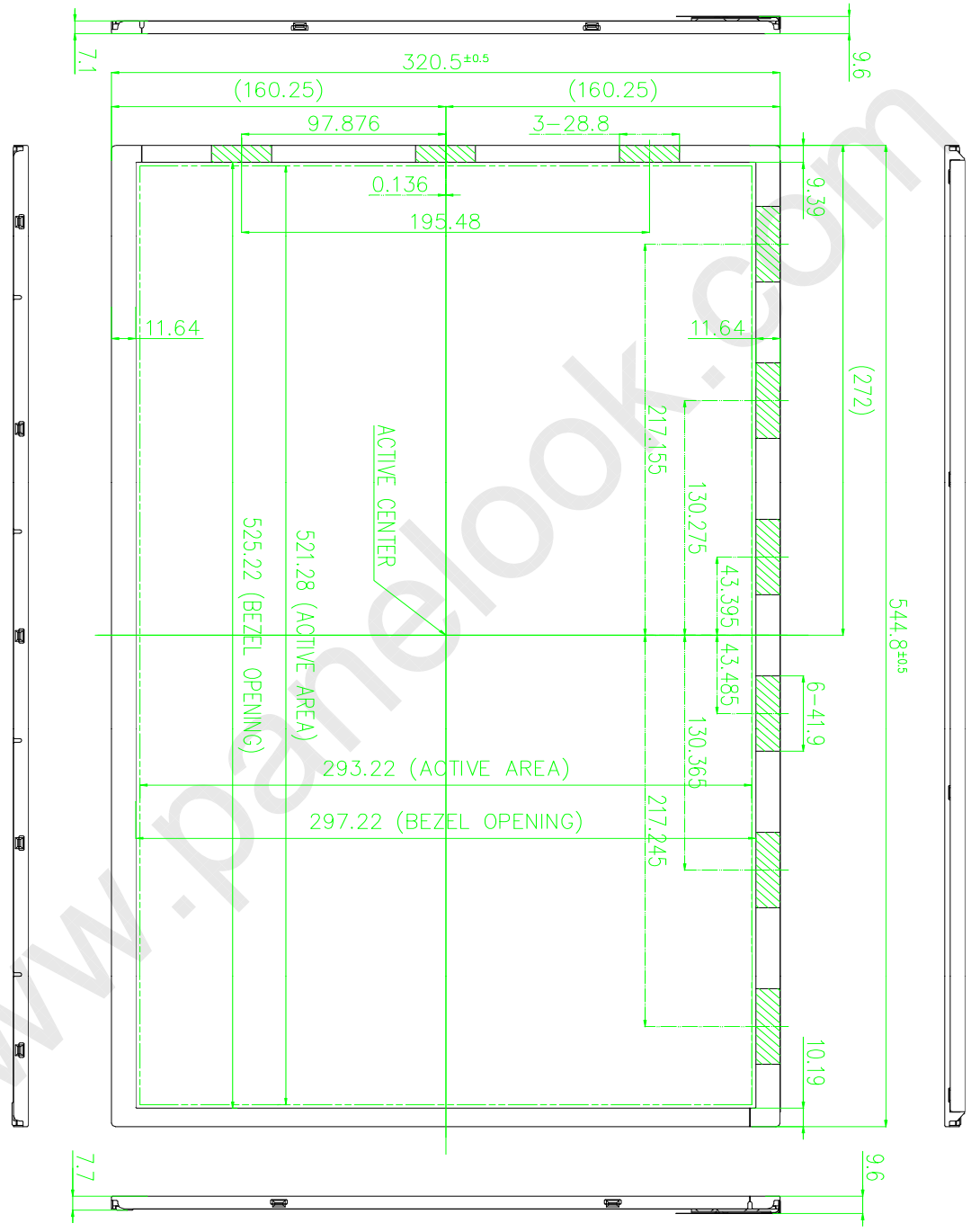
$$\text{Cross-Talk (\%)} = \left| \frac{Y_B - Y_A}{Y_A} \right| \times 100$$

Where: Y_A = Initial luminance of measured area (cd/m²)
 Y_B = Subsequent luminance of measured area (cd/m²)
 The location measured will be exactly the same in both patterns

SPEC. NUMBER S	SPEC. TITLE HM236WU1-100 Product Specification_Rev.P2	PAGE 28 OF 30
-------------------	--	------------------

	PRODUCT GROUP	REV	ISSUE DATE
	TFT- LCD PRODUCT	Rev.P2	Nov. 2. 11'

Figure 5. TFT-LCD Module Outline Dimensions (Front view)



NOTE
 1. I/F CONNECTOR SPECIFICATION
 F1-X8305S1-HF15 (A/C) or IS100-L300-C23 (U/A)
 2. LED CONNECTOR SPECIFICATION
 3708K-008H-10R (ENTERY) or EQUIVALENT

SPEC. NUMBER S	SPEC. TITLE HM236WU1-100 Product Specification_Rev.P2	PAGE 29 OF 30
-------------------	--	------------------

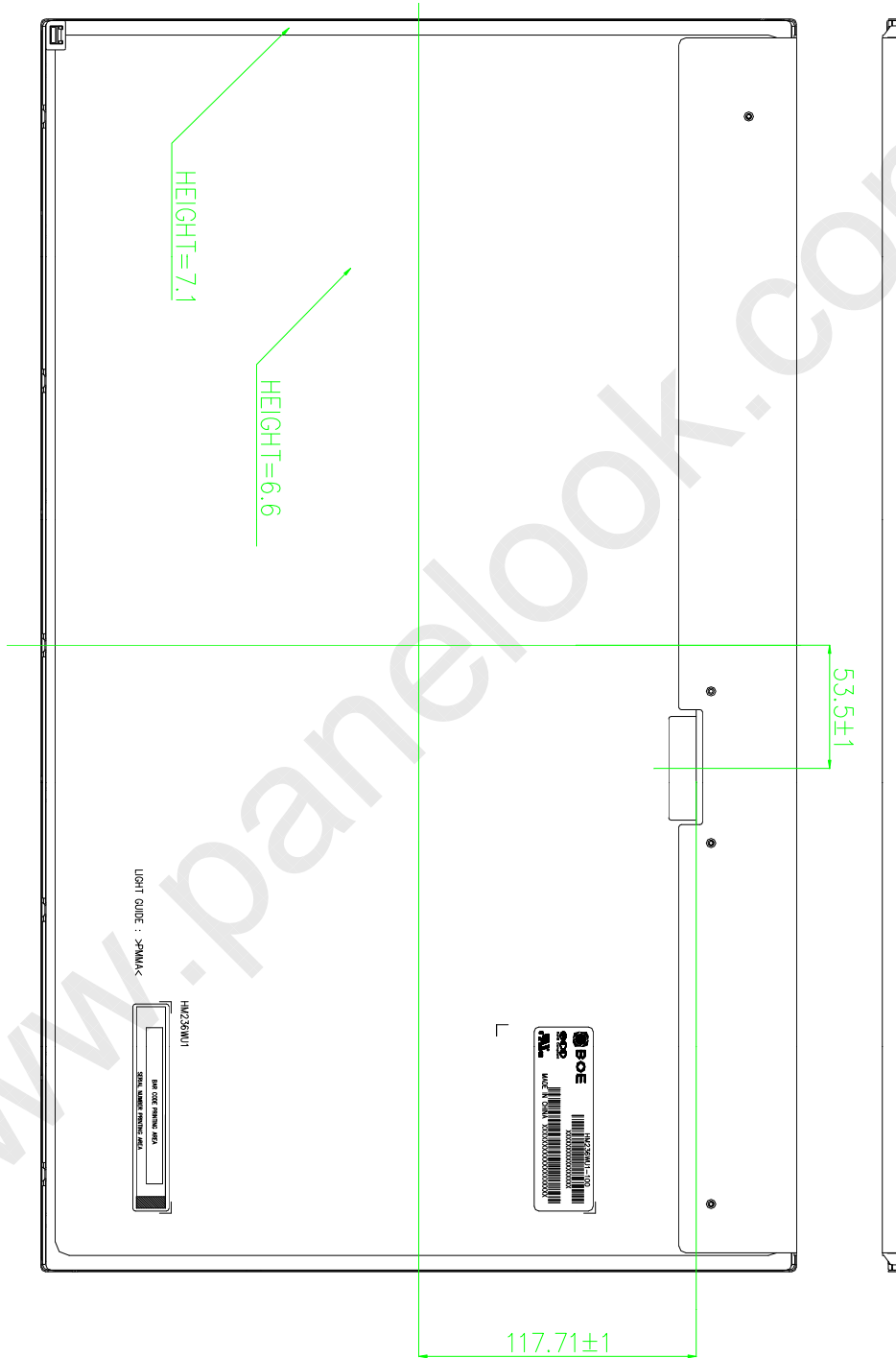
B2010-8002-O (3/3)

A4(210 X 297)



 京东方 BOE	PRODUCT GROUP	REV	ISSUE DATE
	TFT- LCD PRODUCT	Rev.P2	Nov. 2. 11'

Figure 6. TFT-LCD Module Outline Dimensions (Rear view)



SPEC. NUMBER S	SPEC. TITLE HM236WU1-100 Product Specification_Rev.P2	PAGE 30 OF 30
--------------------------	---	-------------------------